

Crane Operations

Slideshow Sample

In this slideshow on Crane Operation, we consider:

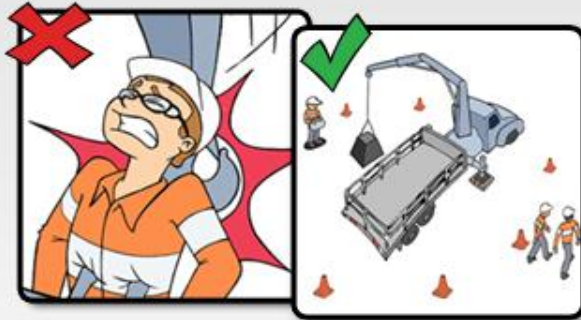
Licensing,
Certification
and
Preliminaries



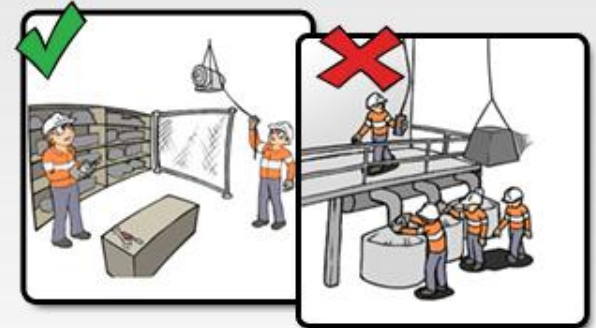
Pick and
Carry



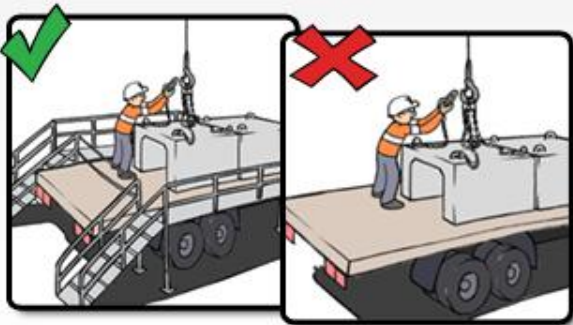
Vehicle
Loading
Cranes



Gantry
Cranes

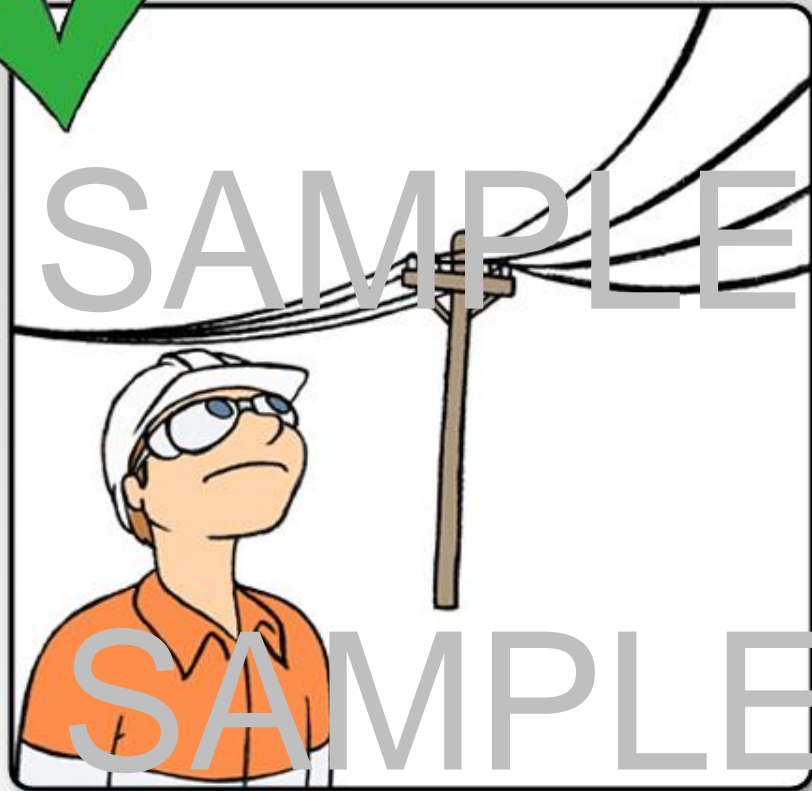


Truck
Loading &
Unloading



In this sample we look at the chapter on the operation of Vehicle Loading (HIAB) Cranes. We consider:

- Setting up Vehicle Loading Cranes
- Crush zones when deploying and stowing lifting arms
- Protecting 3rd parties
- Not being in drop zones or under the lifting arm
- Aspects associated with operating using remote controls

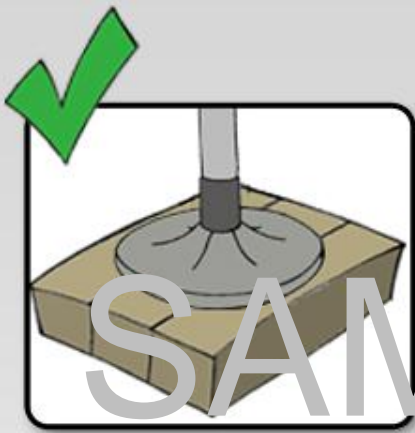


©Experteyes



Before lifting, Look Up!

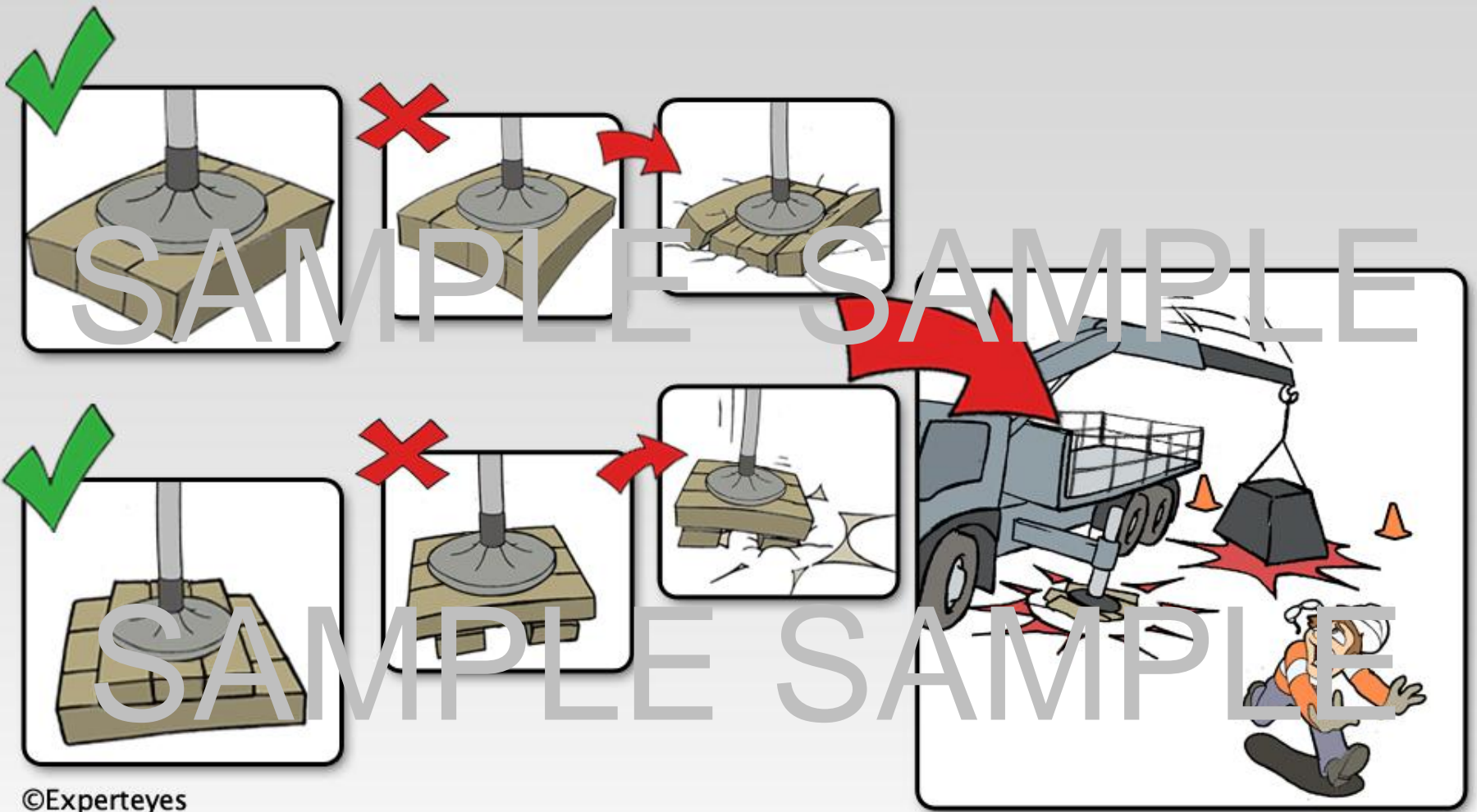
- Always check for aerial hazards, eg power lines



©Experteyes

When setting up:

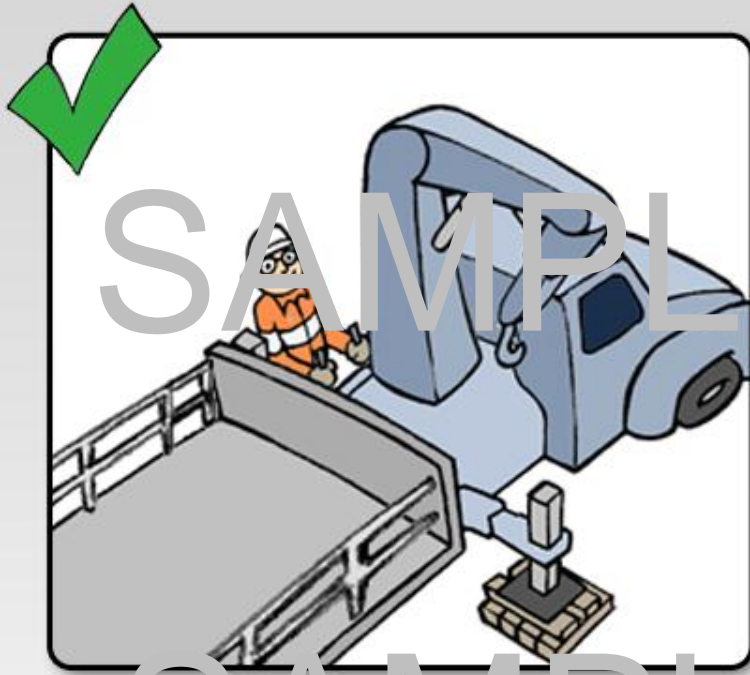
- Set up clear of edges of banks and excavations
- Always deploy the outriggers/ stabilisers



©Experteyes

When setting up:

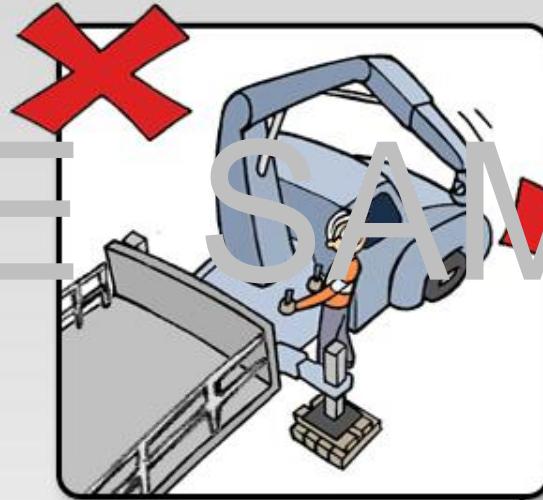
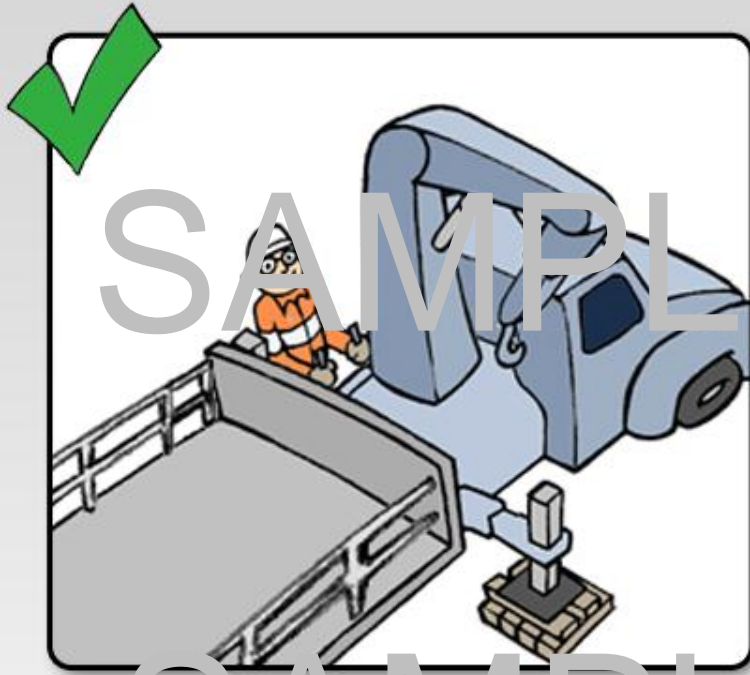
- Set up clear of edges of banks and excavations
- Always deploy the outriggers/ stabilisers
- Pack under outriggers/ stabilisers correctly



©Experteyes

When deploying or packing up:

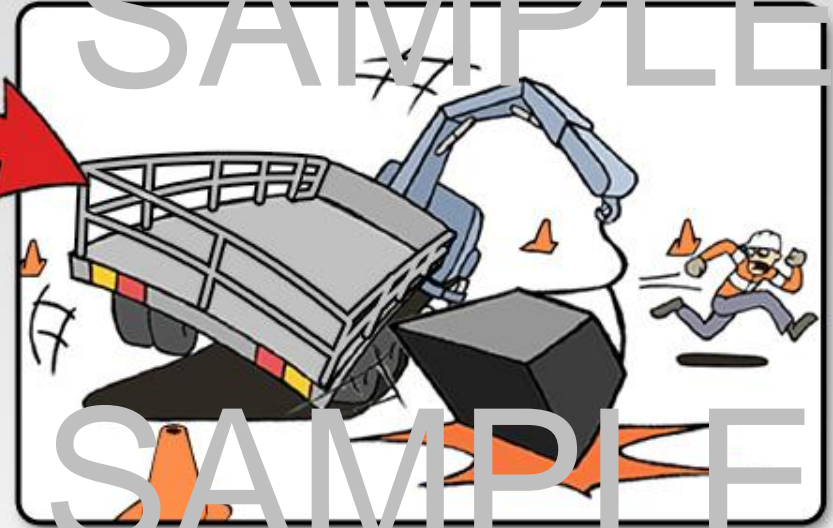
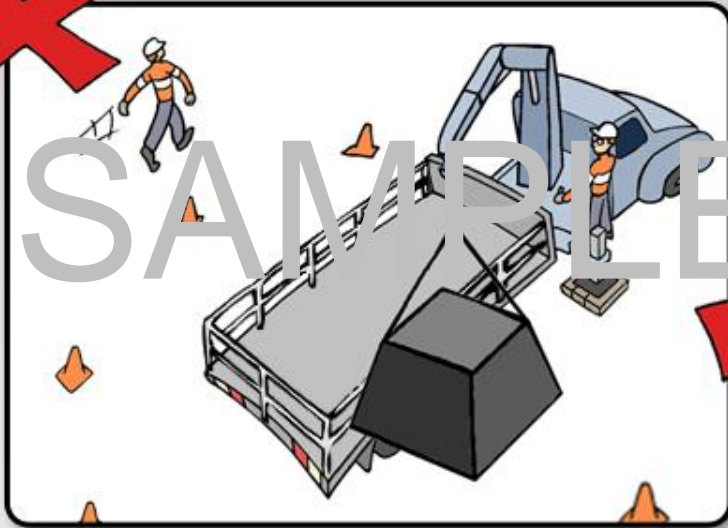
- Use controls on opposite side of truck to where the boom folds



©Experteyes

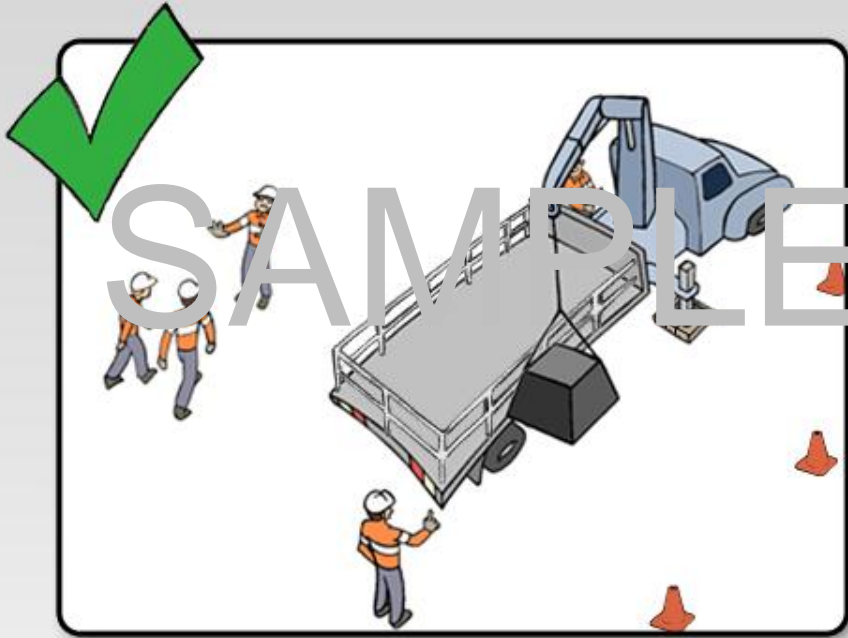
When deploying or packing up:

- Use controls on opposite side of truck to where the boom folds



©Experteyes

Operate within the safe working limits of the Vehicle Loading Crane



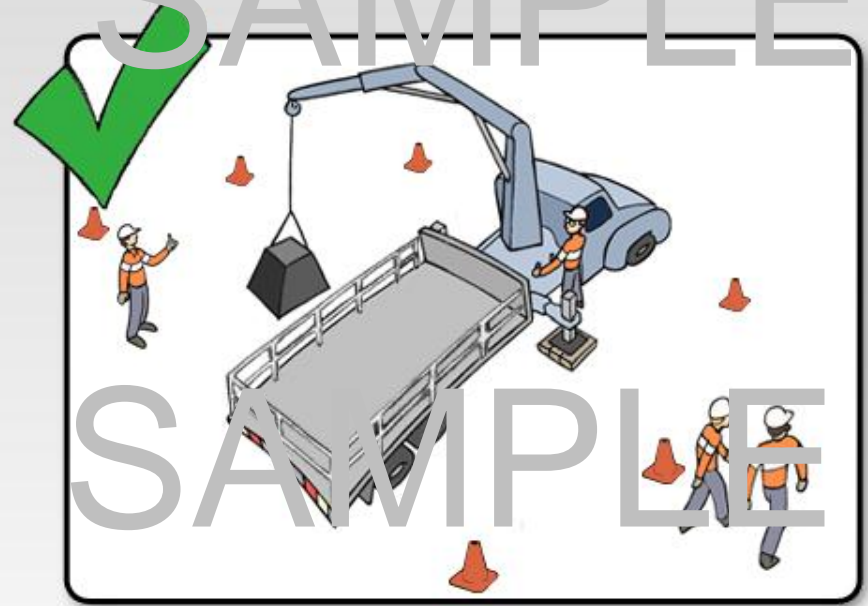
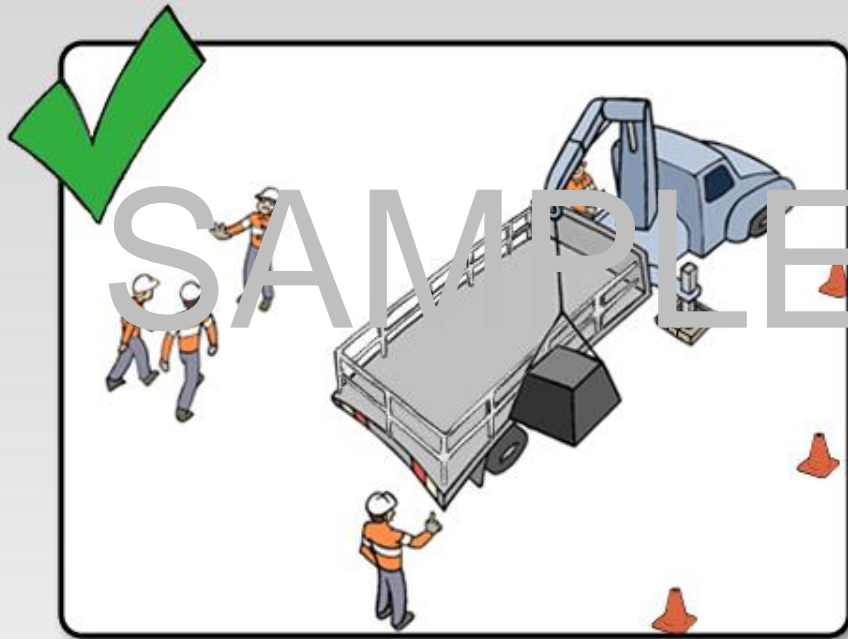
SAMPLE

SAMPLE

©Experteyes

Protect 3rd Parties from loading/ unloading operations:

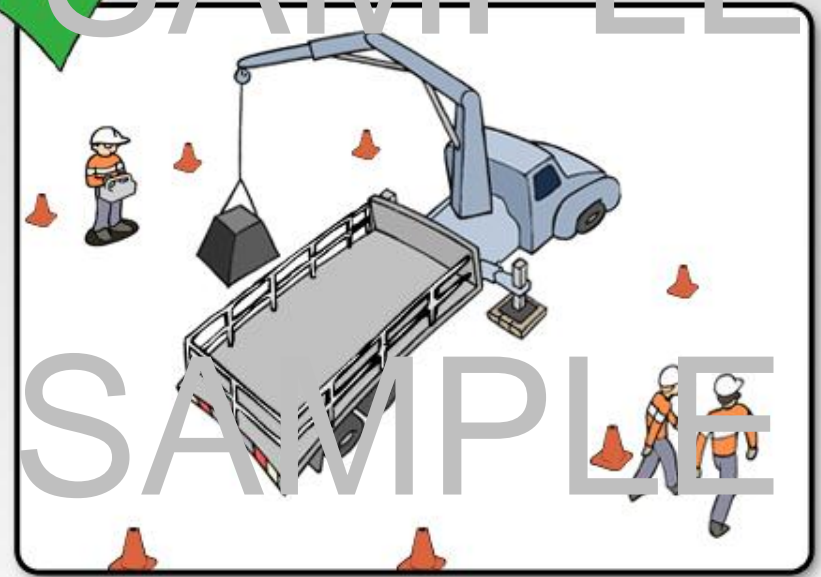
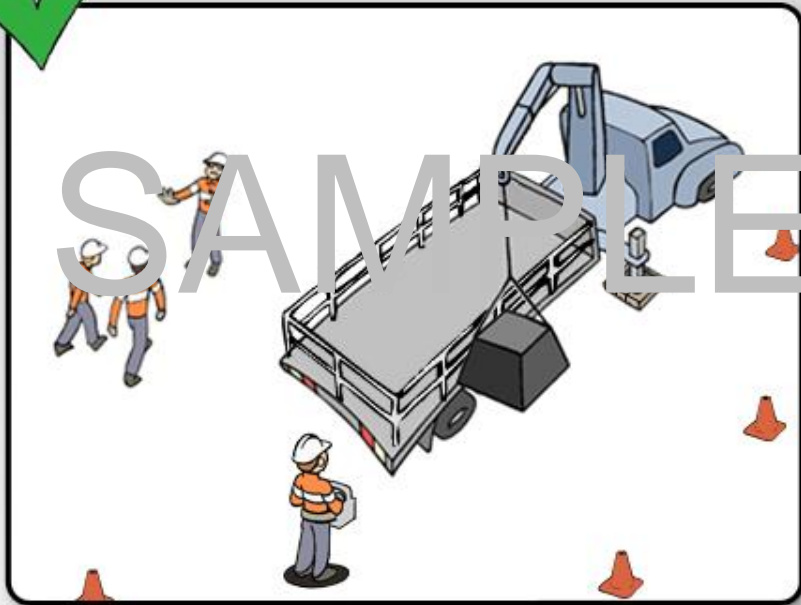
- Barricade or use spotters to keep others out of the lifting zone including the off side of the truck



©Experteyes

Protect 3rd Parties from loading/ unloading operations:

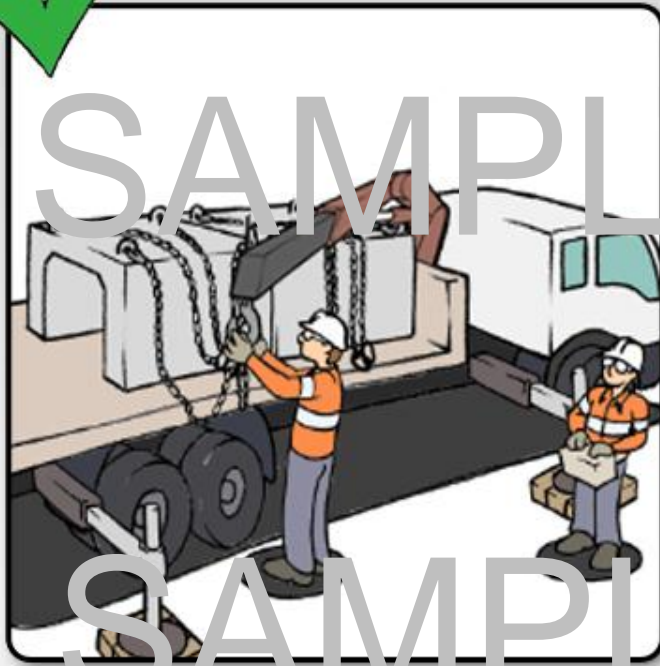
- Barricade or use spotters to keep others out of the lifting zone including the off side of the truck



©Experteyes

Again, protect 3rd Parties. This illustration shows the use of remote controls:

- Use a spotter or barricade with cones or the like in accordance with site procedures



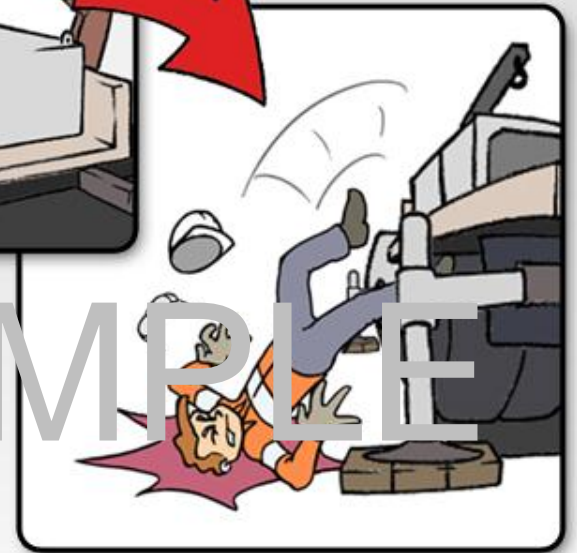
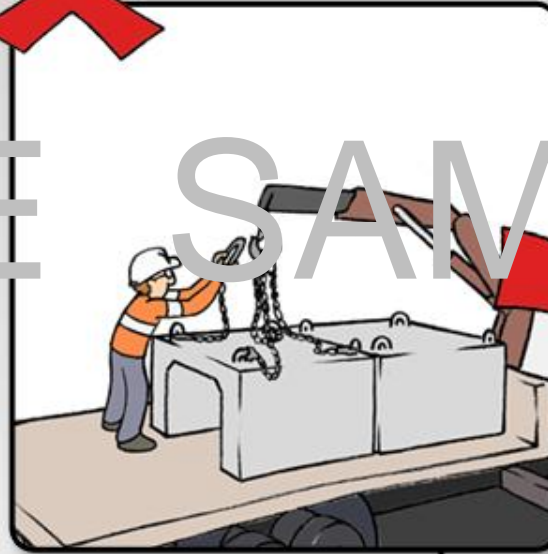
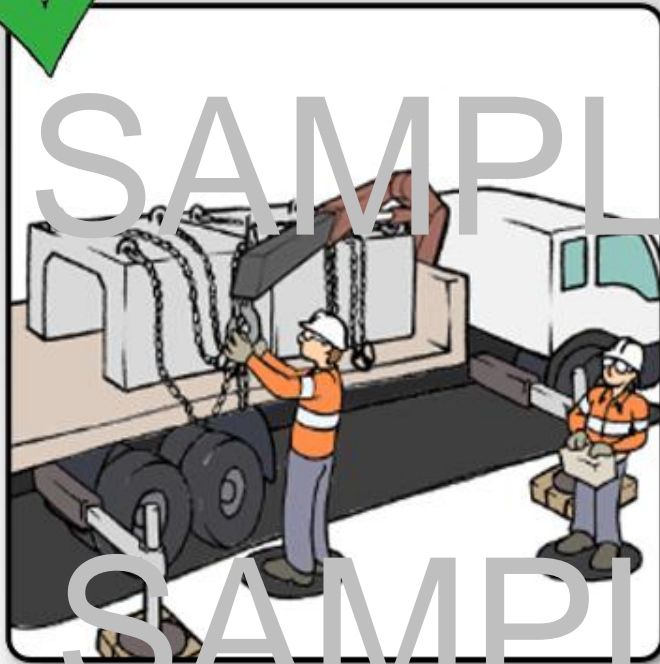
SAMPLE SAMPLE

SAMPLE SAMPLE

©Experteyes

When loading and unloading:

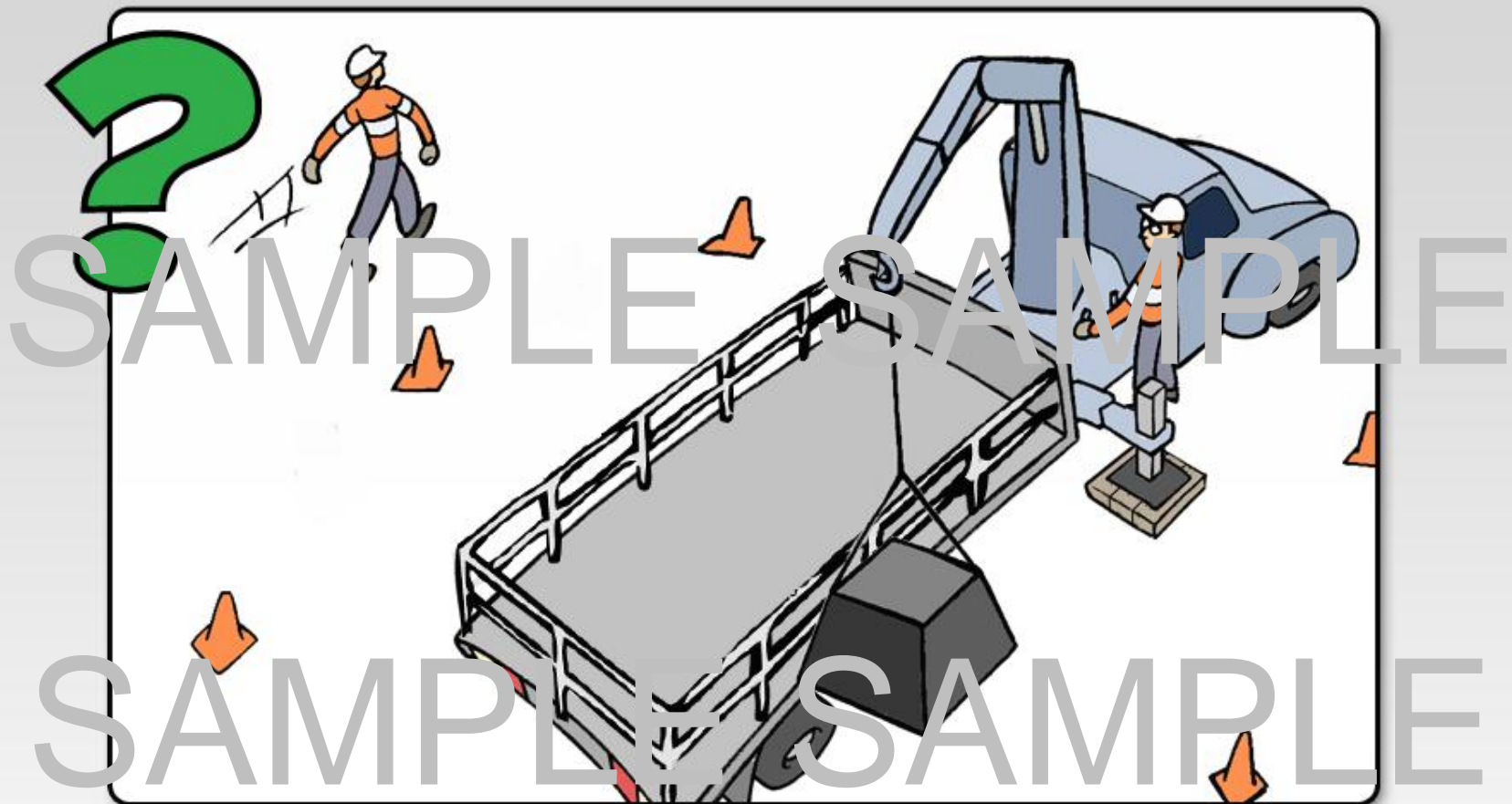
- Avoid standing on truck trays by pre slinging loads where practicable



©Experteyes

When loading and unloading:

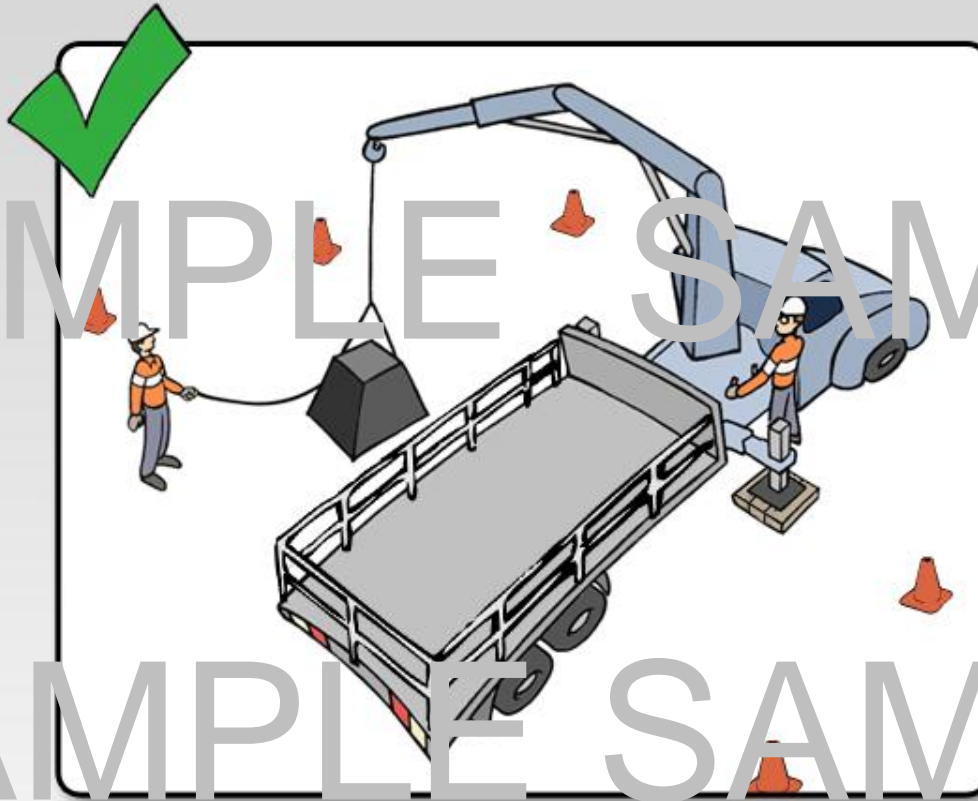
- Avoid standing on truck trays by pre slinging loads where practicable
- Apply your site procedures for accessing truck trays



©Experteyes

Sole Operators:

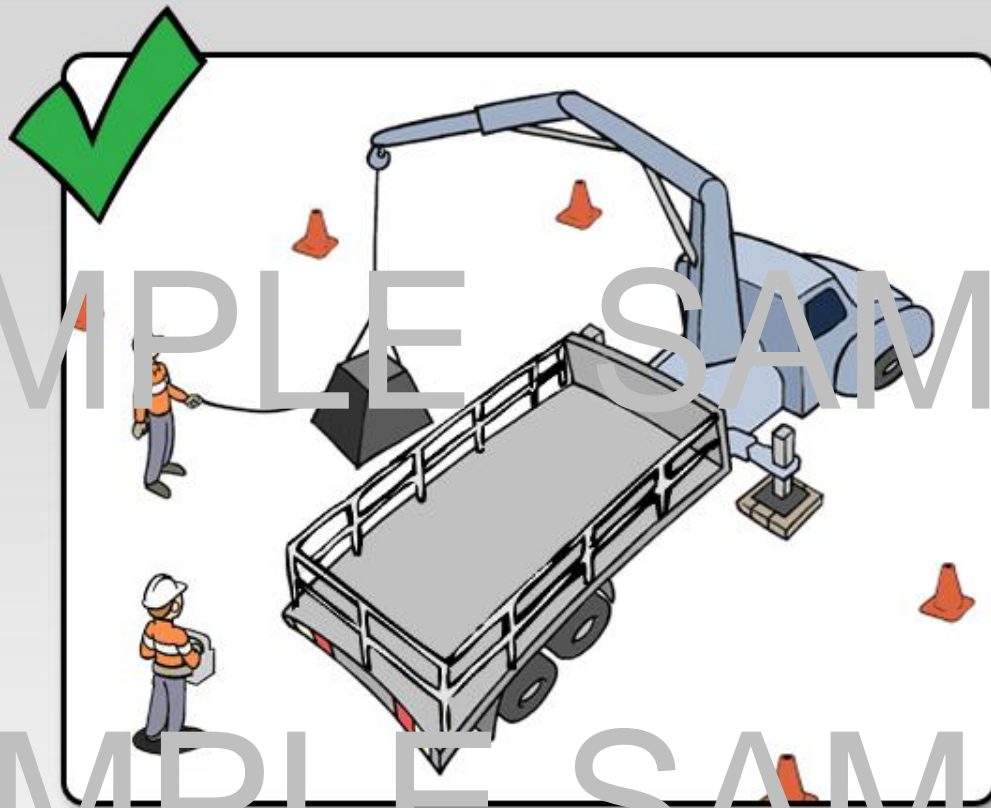
- Operate alone only if permitted by site procedures
- Use controls on the same side of the truck as the load
- Barricade to keep others out of the lifting zone, including the off side of the truck



©Experteyes

When using Truck Mounted Controls:

- Use a dogger if lifting on the side opposite the controls
- Use a dogger if the load needs to be controlled



©Experteyes

Controlling loads and using Remote Controls:

- Apply site procedures
- Do not operate remote control while dogging a load
- Use a dogger to assist when required



©Experteyes

Diggers controlling loads:

- Check the rigging before lifting loads
- Use a tag line and keep clear of the drop zone
- Control the lift with a clear view of the load and surroundings



©Experteyes

Diggers controlling loads:

- Check the rigging before lifting loads
- Use a tag line and keep clear of the drop zone
- Control the lift with a clear view of the load and surroundings



©Expertovest

Sole Operators:

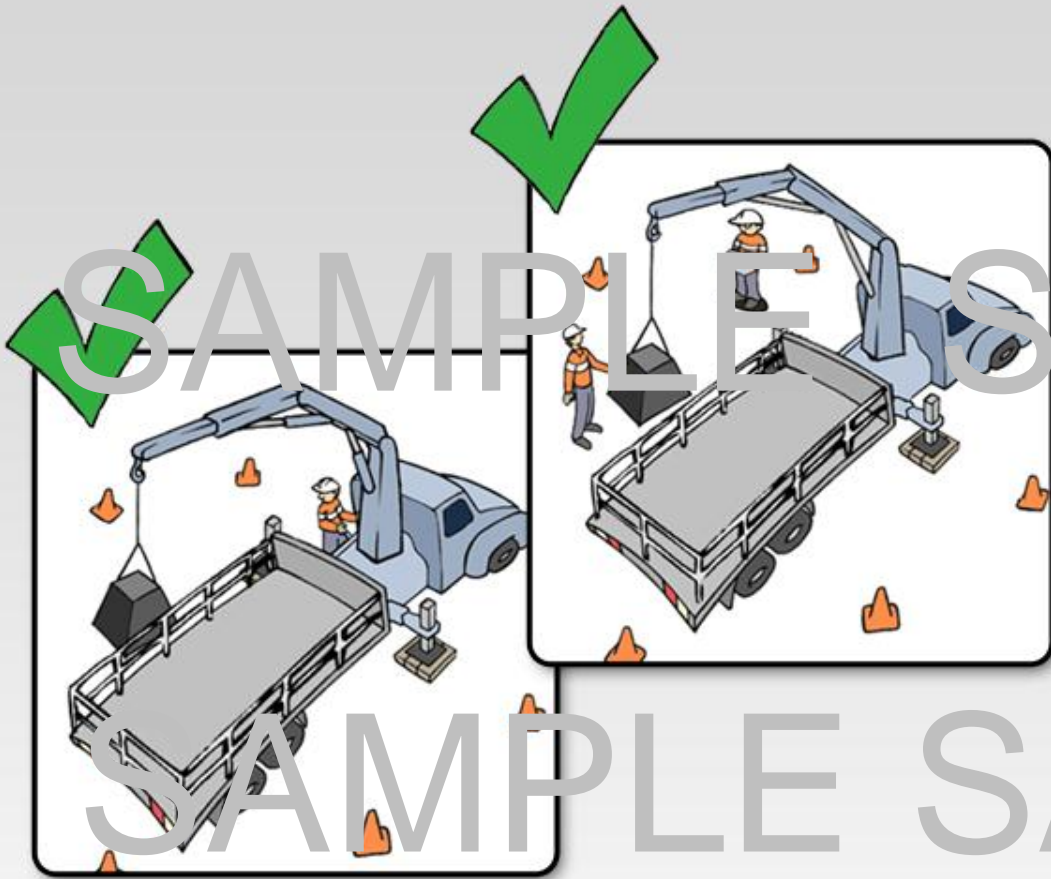
- Operate alone only if permitted by site procedures
- Do not operate remote controls while checking the rigging
- Stay out of the drop zone
- Control the load with a clear view of the load and surroundings



©Expertovest

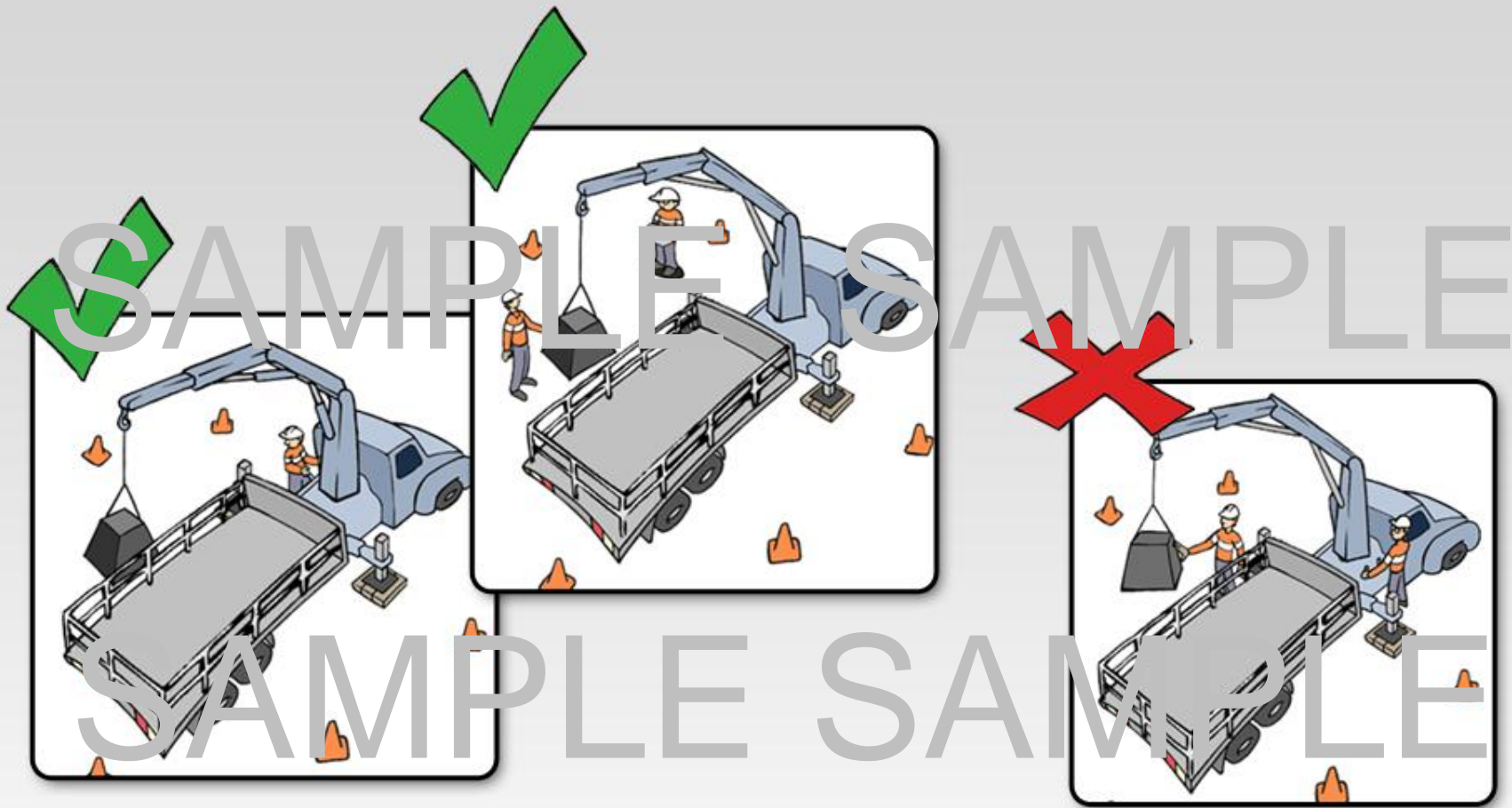
Sole Operators:

- Operate alone only if permitted by site procedures
- Do not operate remote controls while checking the rigging
- Stay out of the drop zone
- Control the load with a clear view of the load and surroundings



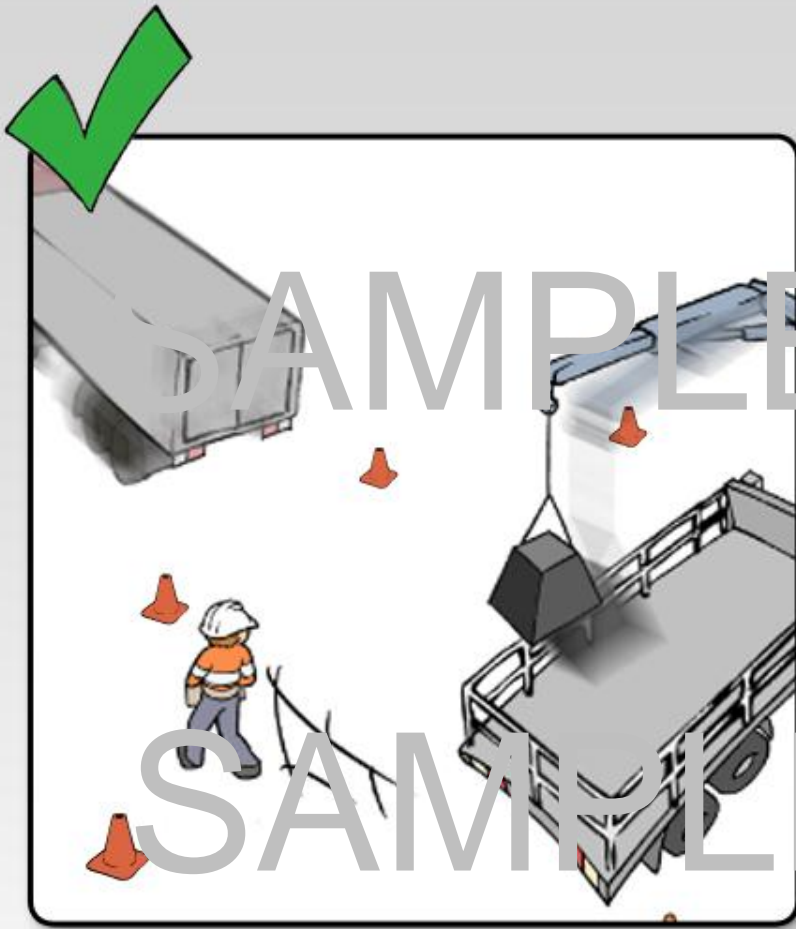
©Experteyes

Do not stand under the lifting arm of the crane!



©Experteyes

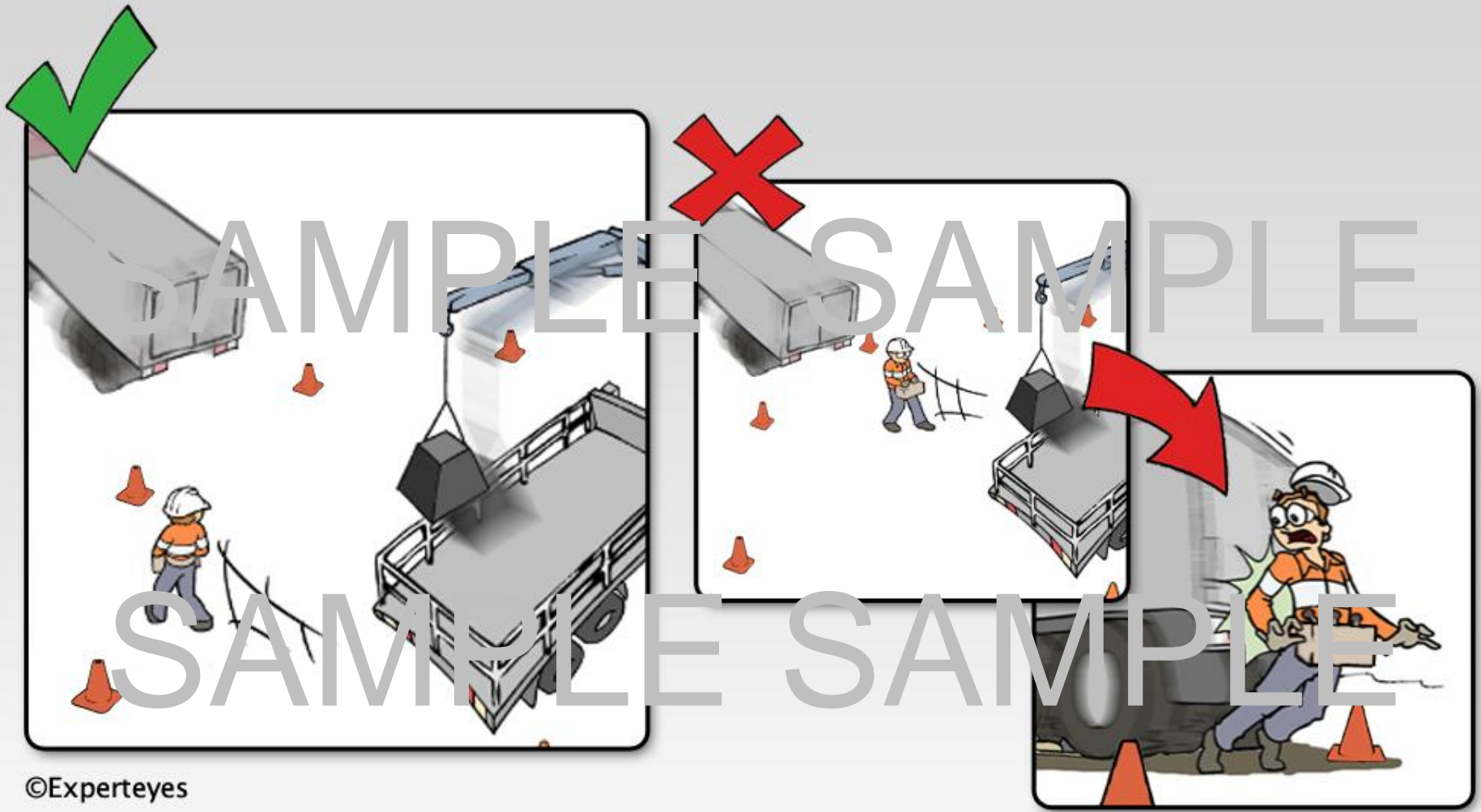
Do not stand under the lifting arm of the crane!



©Experteyes

When using Remote Controls:

- Walk forwards or sideways to view the surroundings



©Experteyes

When using Remote Controls:

- Walk forwards or sideways to view the surroundings
Do not walk backwards!