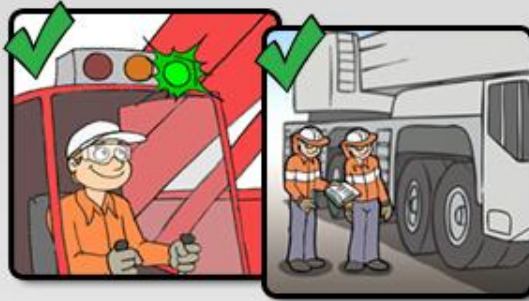


# Mobile Crane Operations

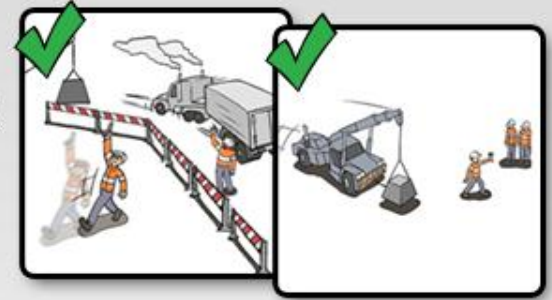
## Slideshow Sample

# *In this slideshow on Mobile Crane Operation, we consider:*

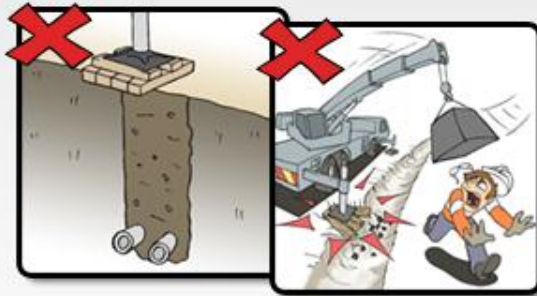
Licenses,  
Certification  
&  
Preliminaries



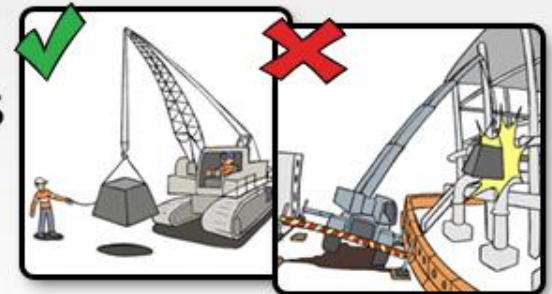
Protecting  
3rd Parties



Setting up  
Slewing  
Cranes

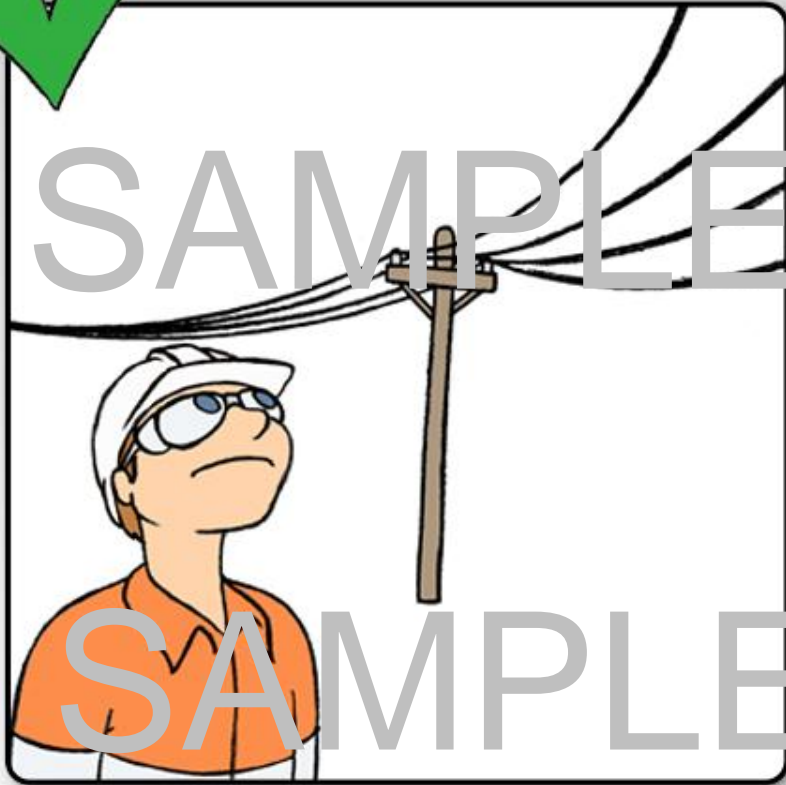


General  
Operations



In this sample we look at the chapter on setting up slewing mobile cranes. We look at:

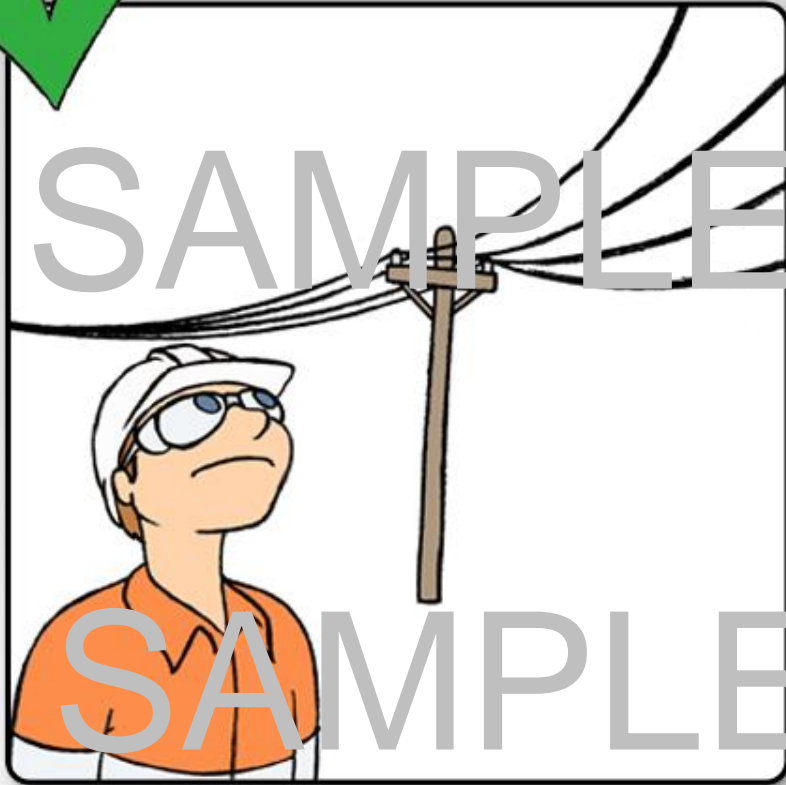
- Checking for overhead hazards
- Assessing the foundations on which the crane will be placed
- The importance of packing outriggers correctly
- De rating the crane when outriggers are not fully deployed



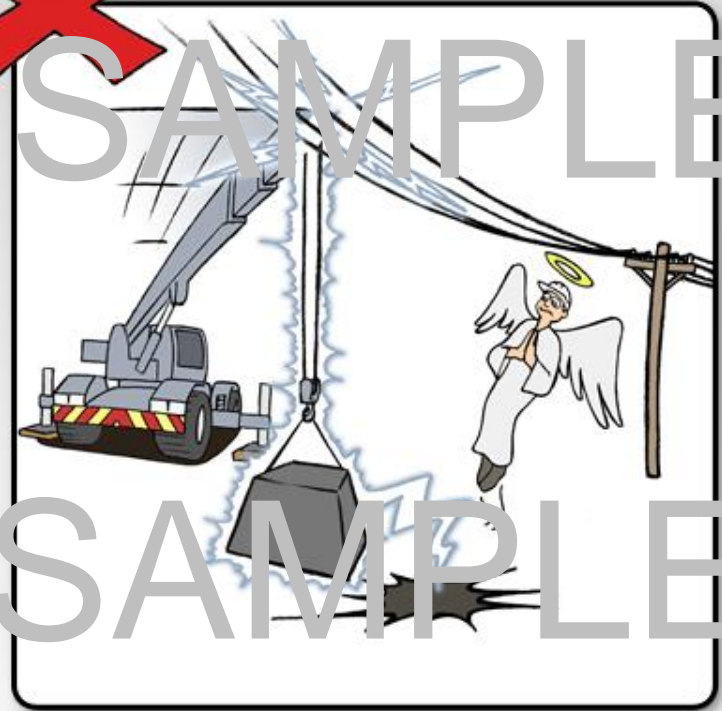
©Experteyes

***Before setting up Mobile Cranes, Look Up!***

- Check for aerial hazards including power lines

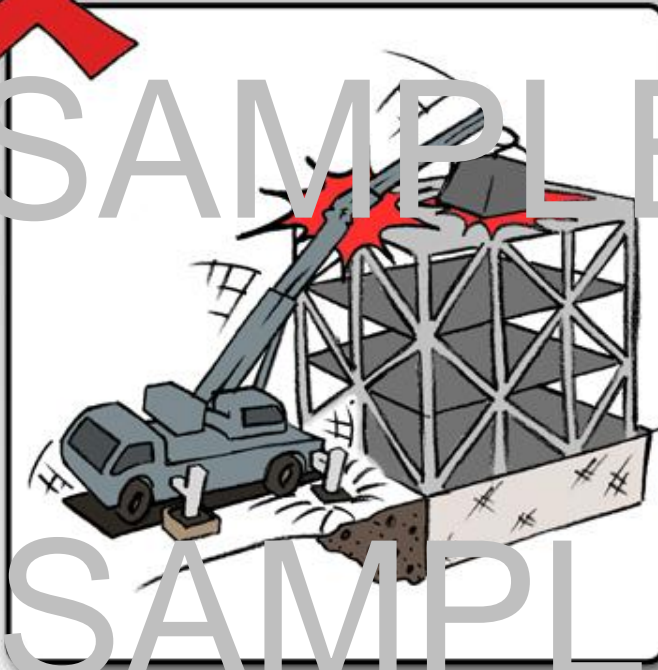


©Experteyes



***Before setting up Mobile Cranes, Look Up!***

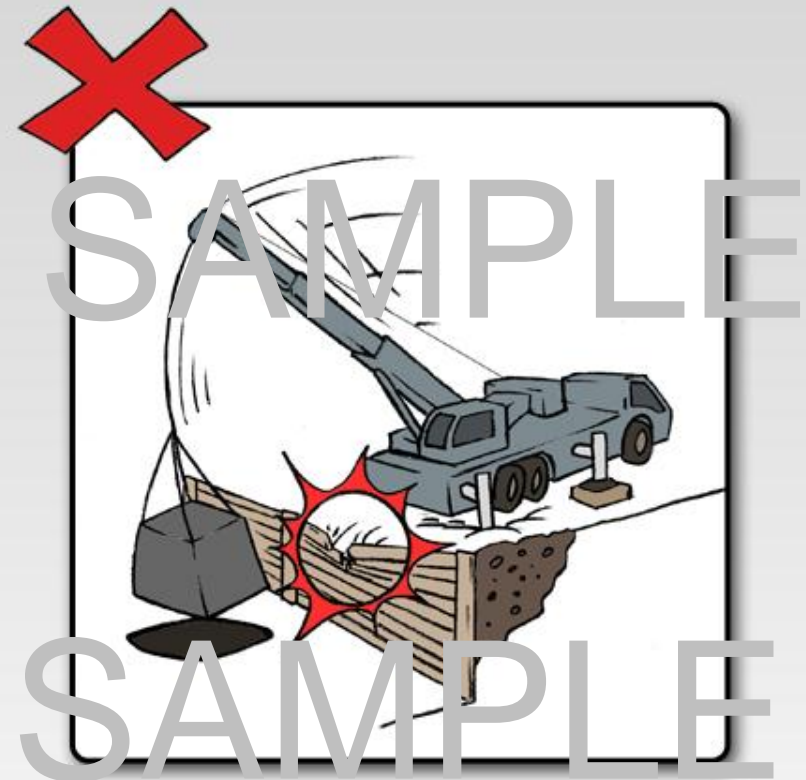
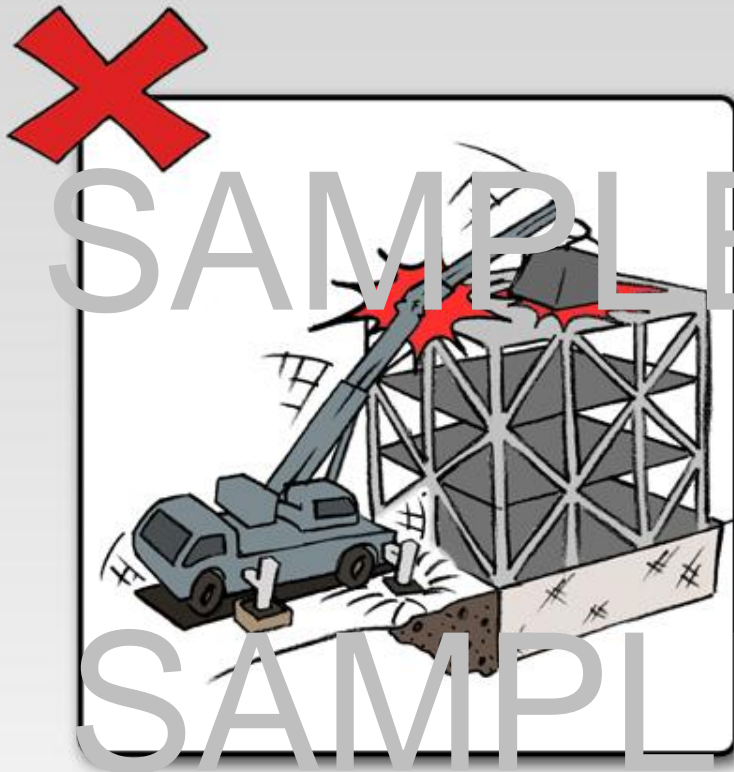
- Check for aerial hazards including power lines



©Experteyes

***When setting up, be aware of ground conditions:***

- Look for signs of uncompact backfill



©Experteyes

***When setting up, be aware of ground conditions:***

- Look for signs of uncompacted backfill
- Don't set up too close to retaining walls

SAMPLE SAMPLE

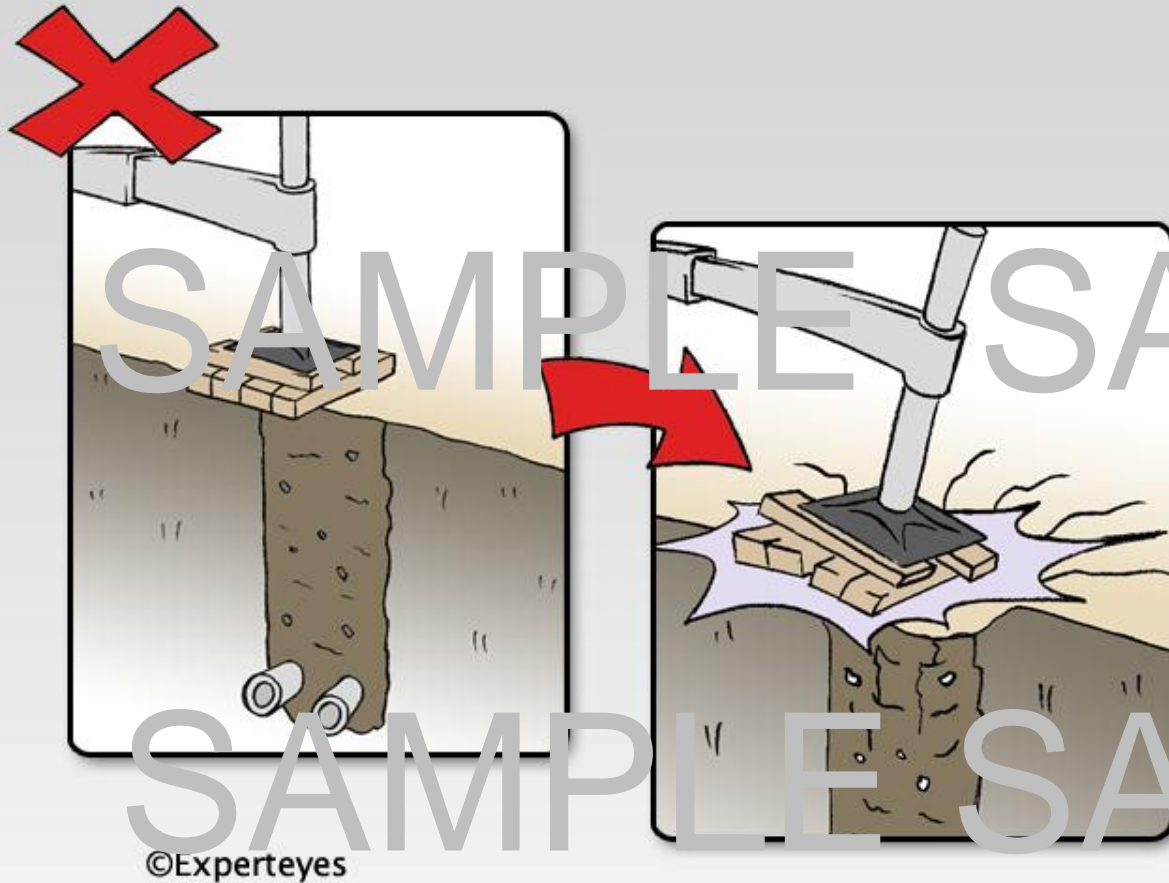
SAMPLE SAMPLE

©Experteyes



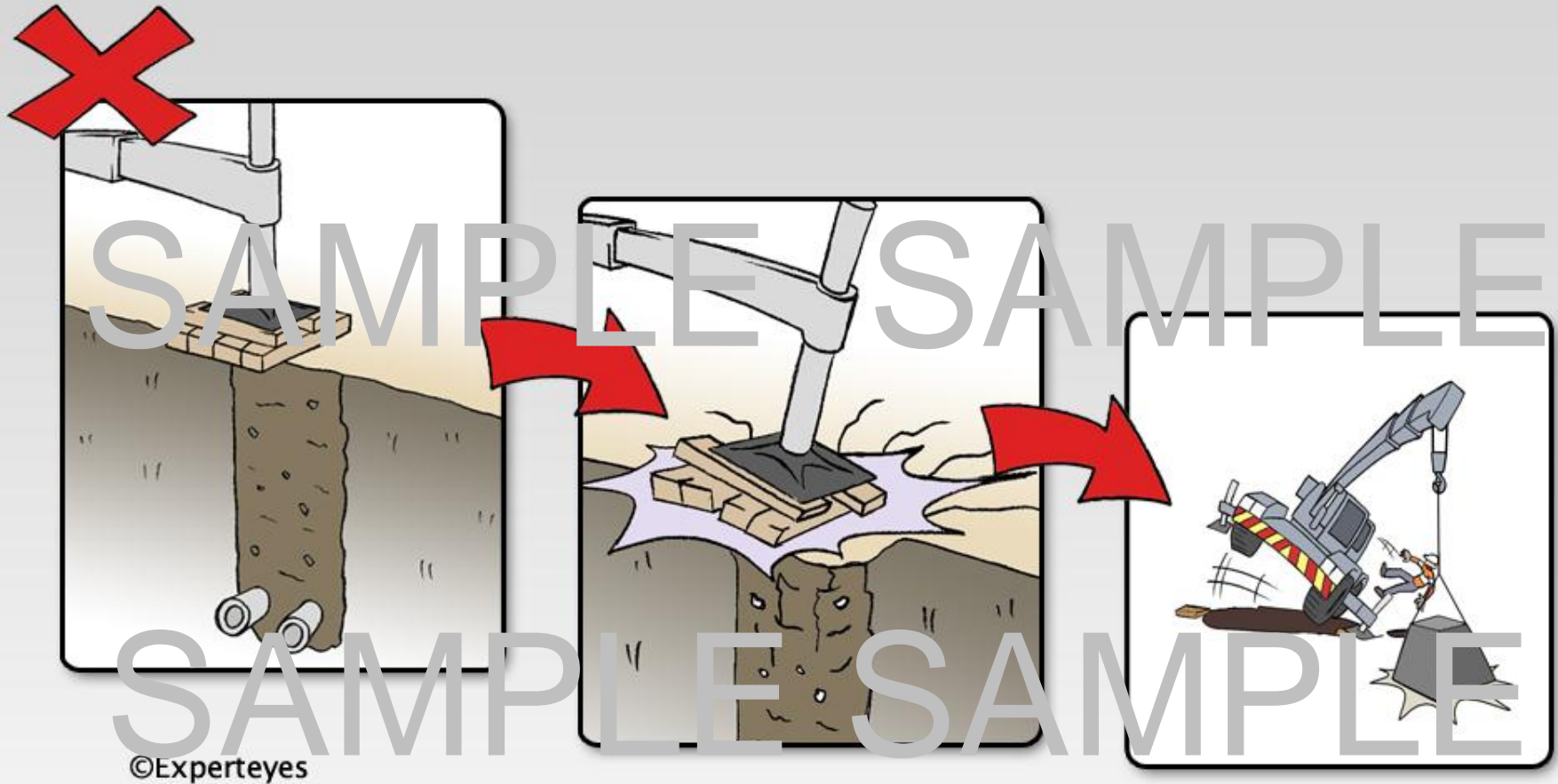
***Set up mobile cranes safely clear of:***

- Excavations and trenches
- Edges of embankments



***Before setting up mobile cranes:***

- Know the location of services
- Set up outriggers clear of services



***Before setting up mobile cranes:***

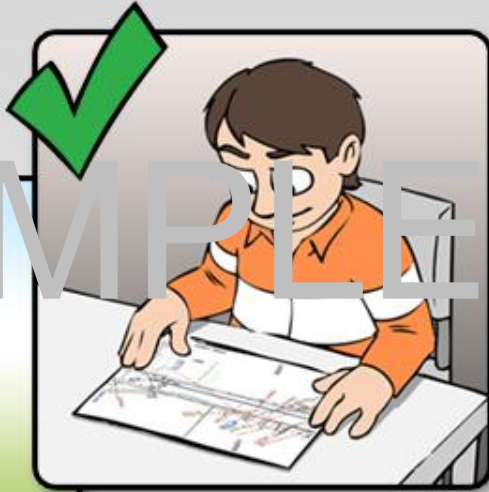
- Know the location of services
- Set up outriggers clear of services



©Experteyes

***Before setting up mobile cranes:***

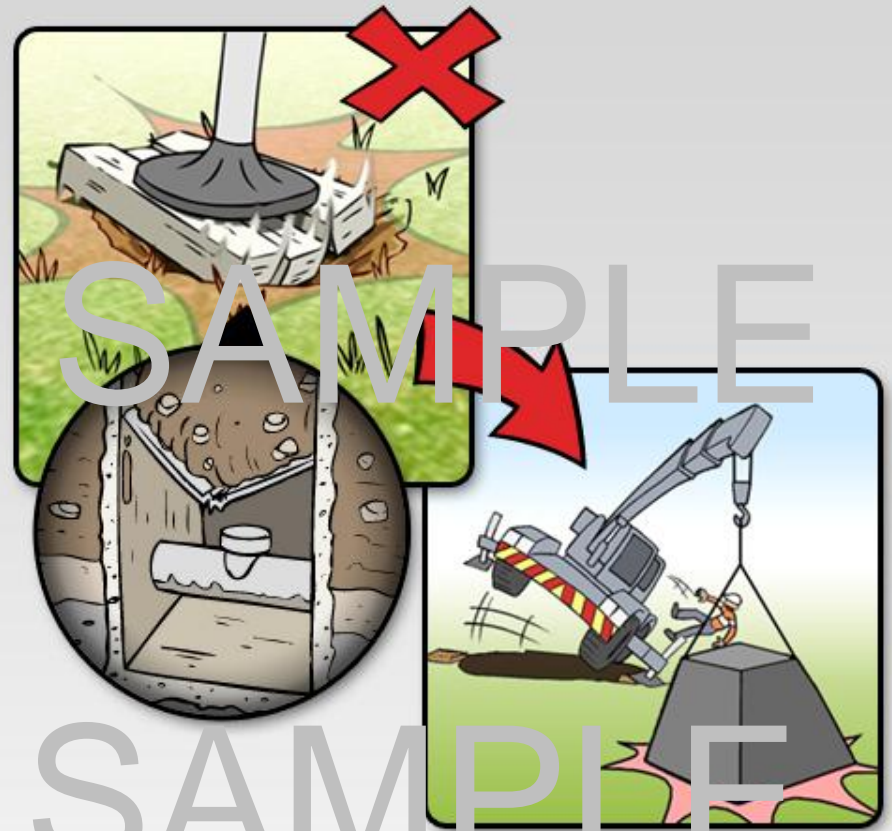
- Check outrigger areas for soft or uncompacted material



©Experteyes

***Before setting up mobile cranes:***

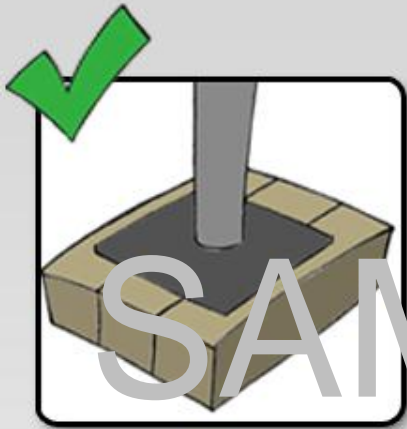
- Check outrigger areas for soft or uncompacted material



©Experteyes

***Before setting up mobile cranes:***

- Check outrigger areas for soft or uncompacted material
- Check plans for any covered services pits and the like near outrigger areas

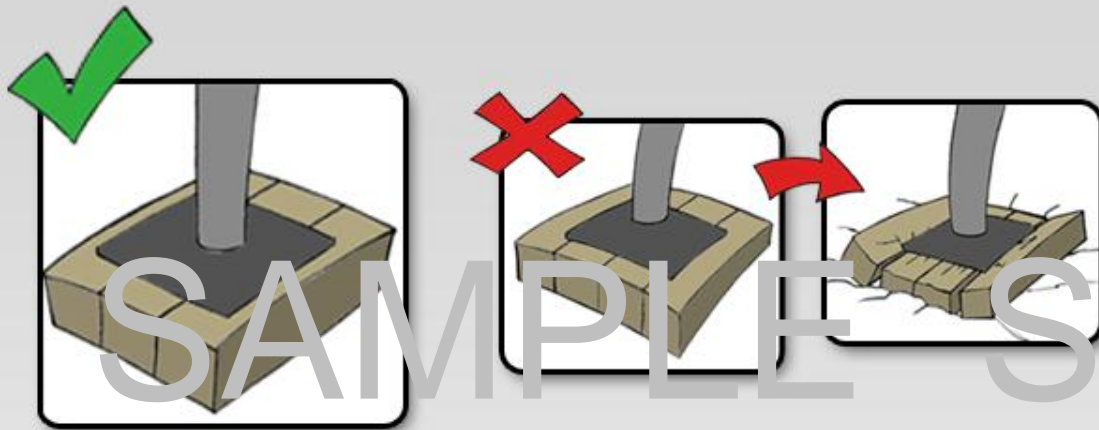


SAMPLE SAMPLE

SAMPLE SAMPLE

©Experteyes

***Pack outriggers correctly***

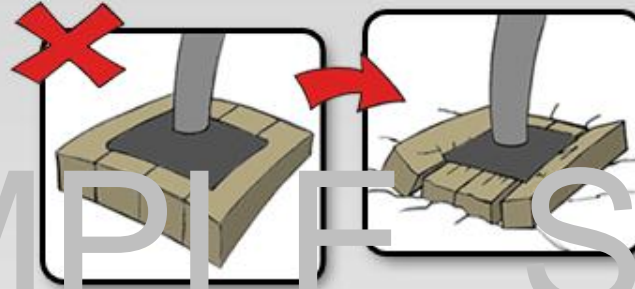


SAMPLE SAMPLE

SAMPLE SAMPLE

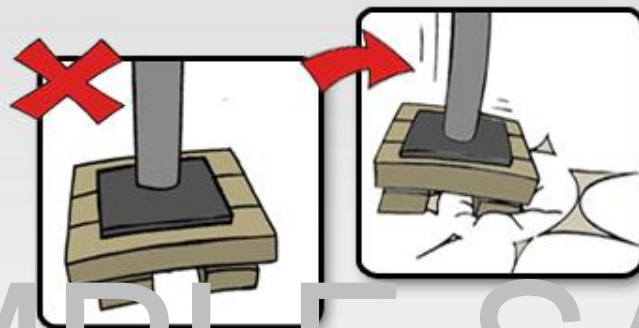
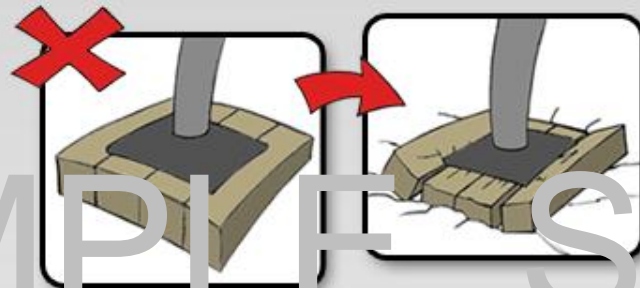
©Experteyes

***Pack outriggers correctly***



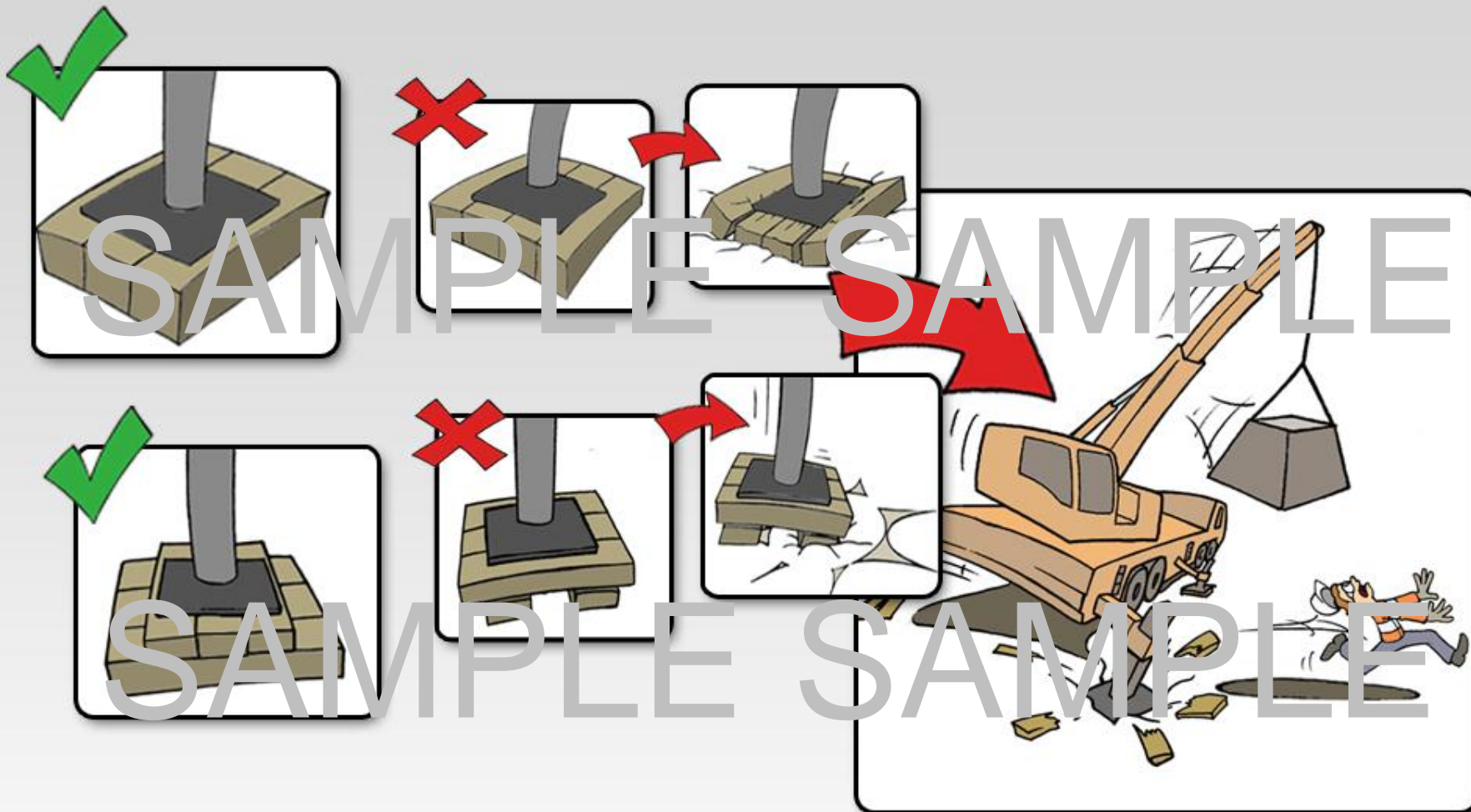
©Experteyes

***Pack outriggers correctly***



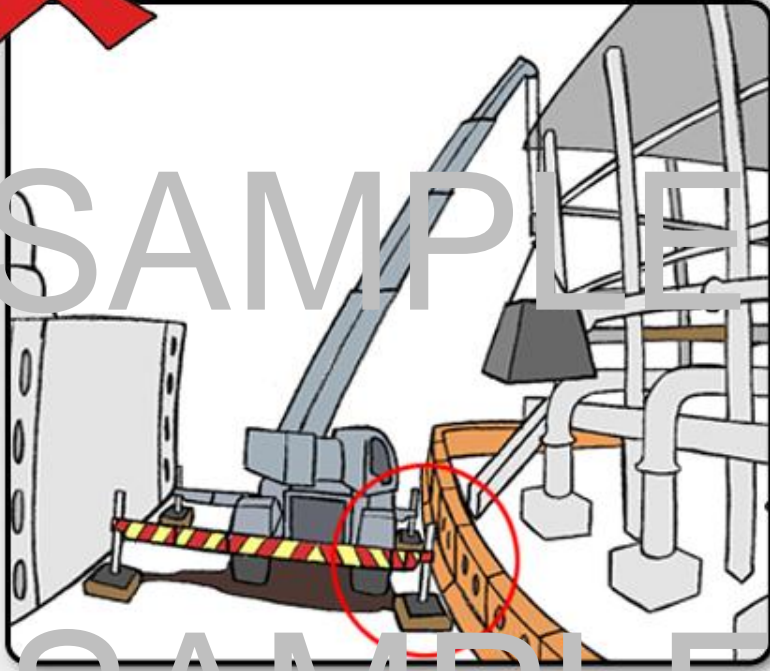
©Experteyes

***Pack outriggers correctly***



©Experteyes

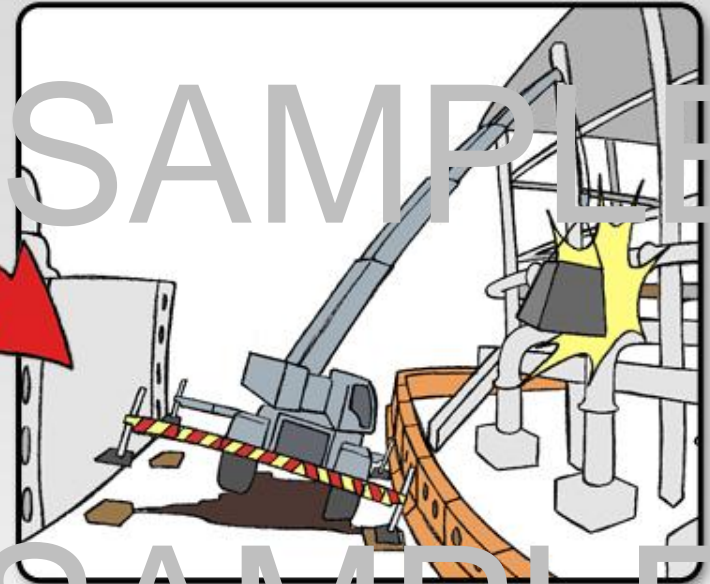
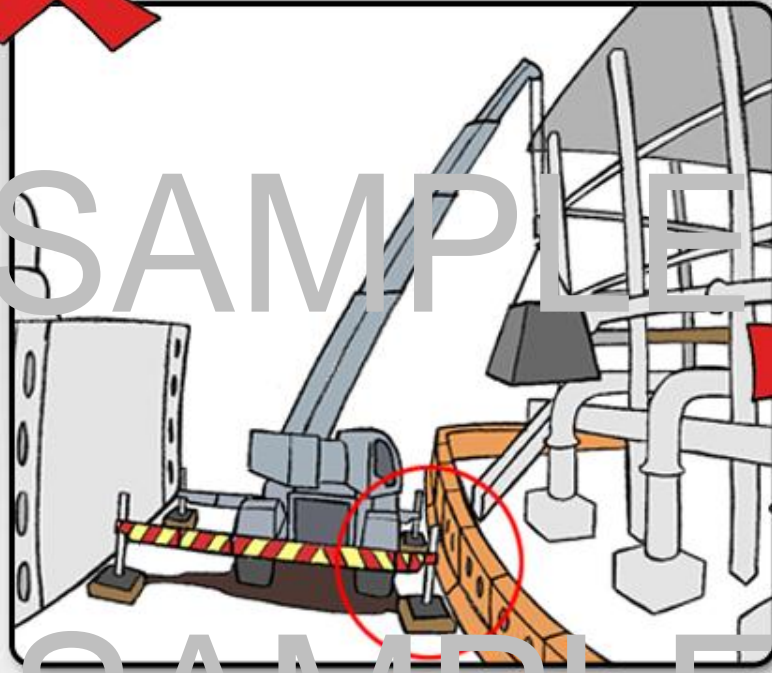
***Pack outriggers correctly***



© Experteyes

### ***Use Partial Deployment of Outriggers:***

- Only if your site allows and the crane chart permits it
- Only after entering the correct configuration into the crane's computer
- Only after applying your site procedures, eg completing lifting studies and the like



SAMPLE

SAMPLE

### ***Use Partial Deployment of Outriggers:***

- Only if your site allows and the crane chart permits it
- Only after entering the correct configuration into the crane's computer
- Only after applying your site procedures, eg completing lifting studies and the like



©Experteyes

***Stay out of drop zones under suspended loads!!***